

PNR5020/5040



FEATURES 特点

- * Excellent solderability and high heat resistance
良好的可焊性和高耐热性

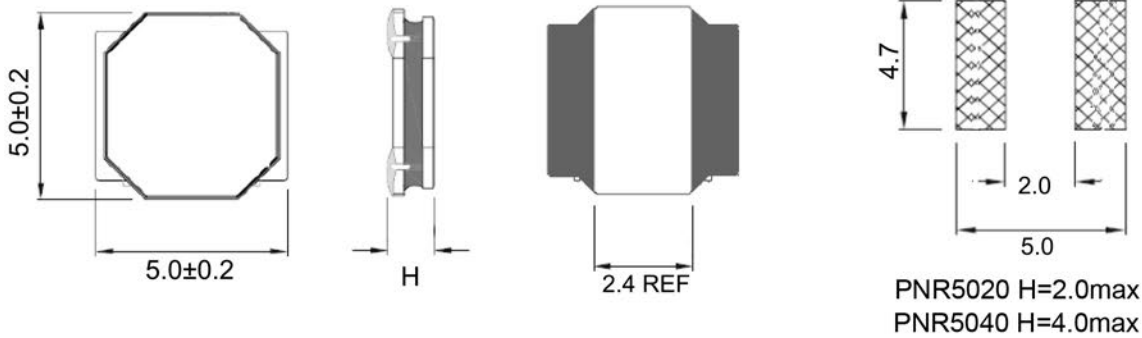
APPLICATION 用途

- * DC / DC转换器

MEASURING FREQUENCY 测试频率

- * 100KHz 0.3V

Shapes And Dimensions 外形及尺寸示意图



Electrical Characteristics 电气性能

型號 Type	电感值 Inductance (μ H)	公差 Tolerance (%)	测试频率 Test Frequency (Hz/v)	直流电阻 R _{DC} Max (m Ω)	最大额定直流电流 Rated Current Max (A)
PNR5020-2R2	2.2	±30%	100KHz/1v	49	5.2
PNR5020-3R3	3.3	±30%	100KHz/1v	74	4.0
PNR5020-4R7	4.7	±30%	100KHz/1v	98	3.6
PNR5020-6R8	6.8	±30%	100KHz/1v	137	2.9
PNR5020-100	10	±30%	100KHz/1v	205	2.4
PNR5020-470	47	±30%	100KHz/1V	672	1.2

PNR5020 Series(Quantity: 3000pcs/reel)

型號 Type	电感值 Inductance (μ H)	公差 Tolerance (%)	测试频率 Test Frequency (Hz/v)	直流电阻 R _{DC} Max Ω	最大额定直流电流 Rated Current Max (A)
PNR5040-1R0	1.0	±20%	100KHZ/1V	0.012	4.9
PNR5040-2R2	2.2	±20%	100KHZ/1V	0.019	3.8
PNR5040-3R3	3.3	±20%	100KHZ/1V	0.024	3.4
PNR5040-4R7	4.7	±20%	100KHZ/1V	0.03	3.0
PNR5040-6R8	6.8	±20%	100KHZ/1V	0.043	2.5
PNR5040-100	10	±20%	100KHZ/1V	0.064	2.1
PNR5040-150	15	±20%	100KHZ/1V	0.086	2.0
PNR5040-220	22	±20%	100KHZ/1V	0.129	1.5
PNR5040-330	33	±20%	100KHZ/1V	0.188	1.2
PNR5040-470	47	±20%	100KHZ/1V	0.272	1.0
PNR5040-101	100	±20%	100KHZ/1V	0.56	0.7

PNR5040 Series(Quantity: 1500pcs/reel)