

# PRH2D11A



## FEATURES 特点

- \* Excellent solderability and high heat resistance  
良好的可焊性和高耐热性

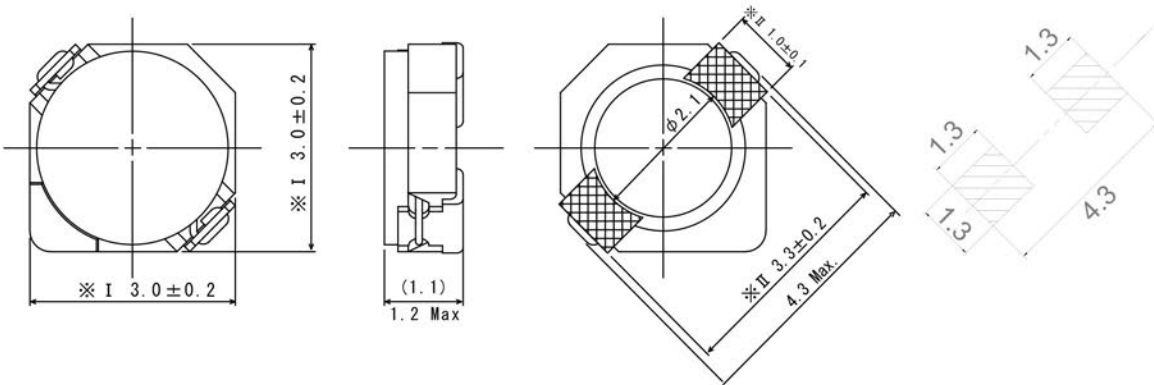
## APPLICATION 用途

- \* DC / DC 转换器

## MEASURING FREQUENCY 测试频率

- \* 100KHz 0.3V

## Shapes And Dimensions 外形及尺寸示意图



## Electrical Characteristics 电气性能

Type 型号	Indicate 表示	Inductance 电感值	D.C.R(Max) 直流电阻(毫欧)	Rated Current(Max) 额定电流(A)
PRH2D1 1A-1R5	1R5	$1.5\mu\text{H} \pm 30\%$	65(54)	0.90
PRH2D1 1A-2R2	2R2	$2.2\mu\text{H} \pm 30\%$	94(78)	0.78
PRH2D1 1A-3R3	3R3	$3.3\mu\text{H} \pm 30\%$	118(98)	0.60
PRH2D1 1A-4R7	4R7	$4.7\mu\text{H} \pm 30\%$	162(135)	0.50
PRH2D1 1A-6R8	6R8	$6.8\mu\text{H} \pm 30\%$	252(210)	0.44
PRH2D1 1A-100	100	$10.0\mu\text{H} \pm 30\%$	384(320)	0.35
PRH2D1 1A-220	220	$22\mu\text{H} \pm 30\%$	800	0.20

\* SPQ:1000PCS/REEL