

PRH4D28



FEATURES 特点

- * Excellent solderability and high heat resistance
良好的可焊性和高耐热性

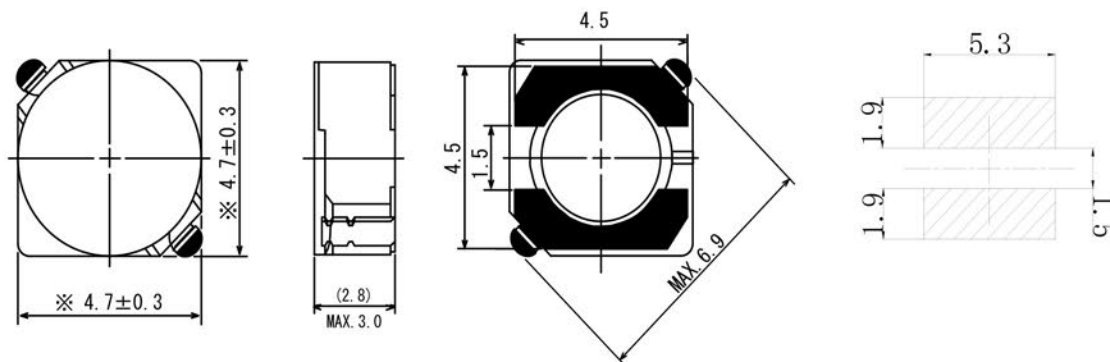
APPLICATION 用途

- * DC / DC 转换器

MEASURING FREQUENCY 测试频率

- * 100KHz 0.3V

Shapes And Dimensions 外形及尺寸示意图



Electrical Characteristics 电气性能

Type 型號	Indicate 表示	Inductance 電感值	D.C.R(Max) 直流電阻 (mΩ)	Rated Current(Max) 額定電流 (A)
PRH4D28-1R2	1R2	1.2μH±30%	23.6(17.5)	2.56
PRH4D28-1R8	1R8	1.8μH±30%	27.5(20.4)	2.20
PRH4D28-2R2	2R2	2.2μH±30%	31.3(23.2)	2.04
PRH4D28-2R7	2R7	2.7μH±30%	43.3(32.1)	1.60
PRH4D28-3R3	3R3	3.3μH±30%	49.2(36.4)	1.57
PRH4D28-3R9	3R9	3.9μH±30%	64.8(48.0)	1.44
PRH4D28-4R7	4R7	4.7μH±30%	72.0(56.3)	1.32
PRH4D28-5R6	5R6	5.6μH±30%	100.9(74.7)	1.17
PRH4D28-6R8	6R8	6.8μH±30%	108.9(80.7)	1.12
PRH4D28-8R2	8R2	8.2μH±30%	117.5(87.0)	1.04
PRH4D28-100	100	10μH±30%	128.3(95.0)	1.00
PRH4D28-120	120	12μH±30%	131.6(97.5)	0.84
PRH4D28-150	150	15μH±30%	149.0(110.4)	0.76
PRH4D28-180	180	18μH±30%	166.0(123.0)	0.72
PRH4D28-220	220	22μH±30%	235.0(174.5)	0.70
PRH4D28-270	270	27μH±30%	261.0(193.3)	0.58
PRH4D28-330	330	33μH±30%	331.3(254.8)	0.56
PRH4D28-390	390	39μH±30%	383.7(284.2)	0.50
PRH4D28-470	470	47μH±30%	587.0(435.0)	0.48
PRH4D28-560	560	56μH±30%	624.5(462.6)	0.41
PRH4D28-680	680	68μH±30%	699.0(517.8)	0.35
PRH4D28-820	820	82μH±30%	914.8(677.6)	0.32
PRH4D28-101	101	100μH±30%	1020(765.8)	0.29
PRH4D28-121	121	120μH±30%	1270(976.5)	0.27
PRH4D28-151	151	150μH±30%	1350(1080)	0.24
PRH4D28-181	181	180μH±30%	1540(1230)	0.22
PRH4D28-331	331	330μH±20%	2100(1820)	0.10

* SPQ:2000PCS/REEL

The sample parameters are based on actual measured values