

# PRH8R23



## FEATURES 特点

- \* Excellent solderability and high heat resistance  
良好的可焊性和高耐热性

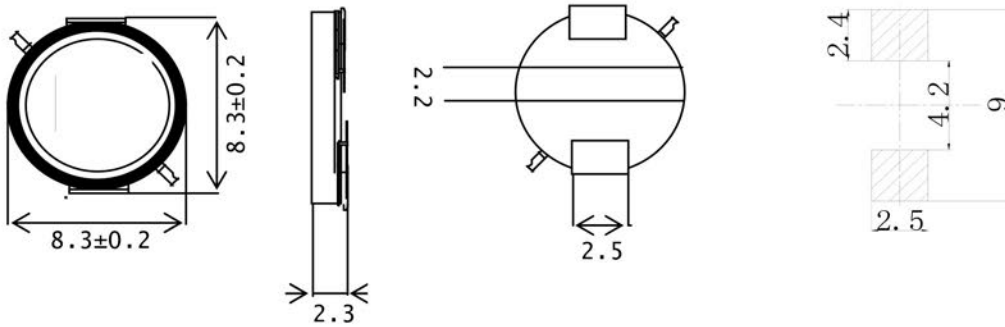
## APPLICATION 用途

- \* DC / DC 转换器

## MEASURING FREQUENCY 测试频率

- \* 100KHz 0.3V

## Shapes And Dimensions 外形及尺寸示意图



## Electrical Characteristics 电气性能

Type 型号	Indicate 表示	Inductance 电感值	D.C.R(Max) 直流电阻 (mΩ)	Rated Current(Max) 额定电流 (A)
PRH8R23- 3R3	3R3	3.3	72.9m	4.8
PRH8R23- 4R7	4R7	4.7	70m	4.3
PRH8R23- 6R8	6R8	6.8	90m	3.5
PRH8R23- 100	100	10	125m	3.2
PRH8R23- 150	150	15	213m	2.4
PRH8R23- 180	180	18	242m	2.4
PRH8R23- 220	220	22	271m	2.0

\* SPQ:1000PCS/REEL